

SMA – Magnetic safety switches



SMA 01xx



Applications

- Machine and plant manufacturing
- Packing machines
- Wood-processing machines

Features

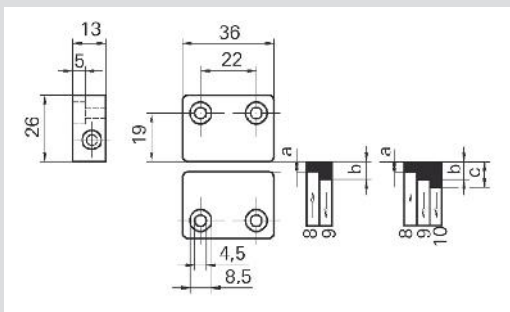
- Block-shaped design
- For harsh operating conditions
- Tamper proof
- Can be used up to PL e/Category 4 (EN ISO 13849-1)
- Degree of Protection IP67

Technical data

Set	SMA 011x	SMA 012x
Dimensions / mm (L x W x H)	36 x 26 x 13 mm	
Actuating distance / (Sao / Sar)	8 / 17 mm	
Directions of actuation	Front - Front / Front - Side / Side - Side	
Protection degree	IP67	
Contact type	Reed	
Contact assignment	NC / NO	NO / NO
Switching voltage	48 V DC	
Switching current	0.2 A	
Maximum cable length	20 m	

Dimension diagram

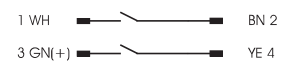
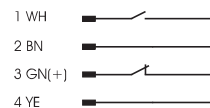
SMA 011x / SMA 012x



Circuit diagram

SMA 011x

SMA 012x



Contacts are shown in non-operated state (magnet is out of actuating distance Sar)

SMA – Magnetic safety switches



SMA 02xx
SMA 06xx



Applications

- Machine and plant manufacturing
- Packing machines
- Wood-processing machines

Features

- Rectangle-shaped design
- For harsh operating conditions
- Tamper proof
- Can be used up to PL e/Category 4 (EN ISO 13849-1)
- Degree of Protection IP67

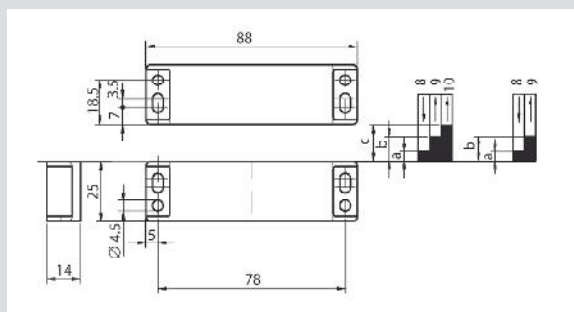
Technical data

Set	SMA 021x	SMA 022x	SMA 023x/024x	SMA 061x	SMA 062x
Dimensions / mm (L x W x H)	88 x 25 x 14 mm				
Actuating distance / (Sao / Sar)	7 / 17 mm	7 / 18 mm	7 / 22 mm	4 / 16 mm	4 / 17 mm
Directions of actuation	Front - Front / Front - Side / Side - Side				
Protection degree	IP67				
Contact type	Reed				
Contact assignment	NC / NO	NO / NO	NO / NO / NC	NC / NO	NO / NO
Switching voltage	48 V DC				
Switching current	0.2 A				
Maximum cable length	20 m				

sensor PRO

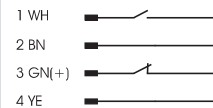
Dimension diagram

SMA 021x/ SMA 022x/SMA 023x/SMA 024x

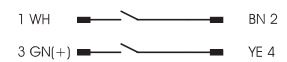


Circuit diagram

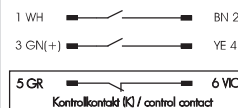
SMA 021x / SMA 0219



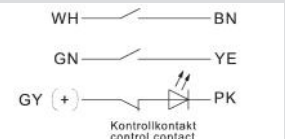
SMA 022x / SMA 0229



SMA 023x



SMA 024x (with LED)



Contacts are shown in non-operated state (magnet is out of actuating distance Sar)

SMA – Magnetic safety switches



SMA 03xx



Applications

- Machine and plant manufacturing
- Packing machines
- Wood-processing machines

Features

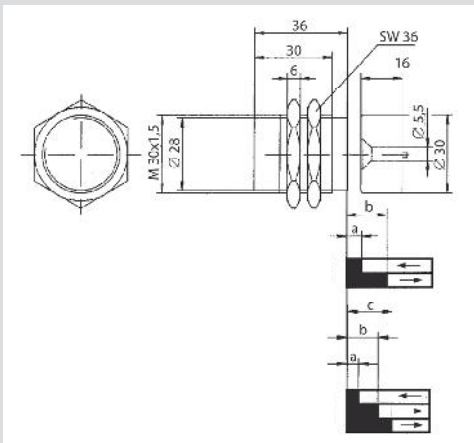
- Round-shaped design
- For harsh operating conditions
- Tamper proof
- Can be used up to PL e/Category 4 (EN ISO 13849-1)
- Degree of Protection IP67

Technical data

Set	SMA 031x	SMA 032x
Dimensions / mm (Ø x L)		M30 x 32 mm
Actuating distance / (Sao / Sar)		7 / 20 mm
Directions of actuation		Front - Front
Protection degree		IP67
Contact type		Reed
Contact assignment	NC / NO	NO / NO
Switching voltage		48 V DC
Switching current		0.2 A
Maximum cable length		20 m

Dimension diagram

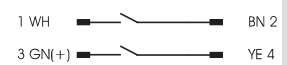
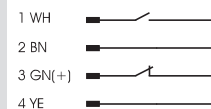
SMA 031x / SMA 032x



Circuit diagram

SMA 031x

SMA 032x



Contacts are shown in non-operated state (magnet is out of actuating distance Sar)

Overview of devices | part numbers

Type	Description	Contact	Part no.	Std. pack
SMA 0113	Switch-set with cable 3 m + magnet	NC / NO	R1.100.0113.0	1
SMA 0123	Switch-set with cable 3 m + magnet	NO / NO	R1.100.0123.0	1
SMA 0119	Switch-set mit with M8 connection + magnet	NC / NO	R1.100.0119.0	1
SMA 0129	Switch-set mit with M8 connection + magnet	NO / NO	R1.100.0129.0	1
SMA 0213	Switch-set with cable 3 m + magnet	NC / NO	R1.100.0213.0	1
SMA 0223	Switch-set with cable 3 m + magnet	NO / NO	R1.100.0223.0	1
SMA 0224	Switch-set with cable 5 m + magnet	NO / NO	R1.100.0224.0	1
SMA 0226	Switch-set with cable 10 m + magnet	NO / NO	R1.100.0226.0	1
SMA 0228	Switch-set with cable 20 m + magnet	NO / NO	R1.100.0228.0	1
SMA 0233	Switch-set with cable 3 m + magnet	NO / NO / NC	R1.100.0233.0	1
SMA 0243	Switch-set with cable 3 m, LED + magnet	NO / NO / NC	R1.100.0243.0	1
SMA 0249	Switch-set with M12 connection, LED + magnet	NO / NO / NC	R1.100.0249.0	1
SMA 0219	Switch-set with M8 connection + magnet	NC / NO	R1.100.0219.0	1
SMA 0229	Switch-set with M8 connection + magnet	NO / NO	R1.100.0229.0	1
SMA 0313	Switch-set with cable 3 m + magnet	NC / NO	R1.100.0313.0	1
SMA 0323	Switch-set with cable 3 m + magnet	NO / NO	R1.100.0323.0	1
SMA 0319	Switch-set with M8 connection + magnet	NC / NO	R1.100.0319.0	1
SMA 0329	Switch-set with M8 connection + magnet	NO / NO	R1.100.0329.0	1
SMA 0613	Switch-set with cable 3 m + magnet	NC / NO	R1.100.0613.0	1
SMA 0623	Switch-set with cable 3 m + magnet	NO / NO	R1.100.0623.0	1
SMA 0626	Switch-set with cable 10 m + magnet	NO / NO	R1.100.0626.0	1
SMA 0619	Switch-set with M8 + magnet	NC / NO	R1.100.0619.0	1
SMA 0629	Switch-set with M8 + magnet	NO / NO	R1.100.0629.0	1

Accessories for SMA



Overview of devices | part numbers

Type	Description	Contact	Part no.	Std. pack
SMA 3110	Magnet (NC / NO) for SMA 011x		R1.100.3110.0	5
SMA 3120	Magnet (NO / NO) for SMA 012x		R1.100.3120.0	5
SMA 3200	Magnet for SMA 02xx		R1.100.3200.0	5
SMA 3300	Magnet for SMA 03xx		R1.100.3300.0	5
SMA 3600	Magnet for SMA 06xx		R1.100.3600.0	5
SMA 4100	Washer for SMA 01xx		R1.100.4100.0	10
SMA 4200	Washer for SMA 02xx / SMA 06xx		R1.100.4200.0	10
SMA 5004	Cable, 5 m		R1.100.5004.0	1
SMA 5005	Cable, 10 m		R1.100.5005.0	1

Note: Suitable M12 cables (SLX-CAB) can be selected on P.86