

SIN – Safety switch with separated actuator and guard locking



Applications

- Personnel protection on machines with dangerous machine parts which move after switching off
- Locking of a machine or an automatic process when the guard is open
- Position monitoring of guard and guard locking

Features

- Suitable for locking devices in accordance with EN 14119
- Flexible use with 4 horizontal or 4 vertical actuating directions
- Integrated protection against simple bypassing
- Long service life thanks to dust- and water-proof housing and a broad operating temperature range of up to 70°C
- Locking force 1,500 N

Function

The mechanical safety switches in the SIN series are suitable for the secure locking (guard locking) of safety doors until a hazardous machine process has ended.

The safety switches have two independent contact blocks which reflect the position of the actuator on the one hand and the position of the guard locking on the other.

The release of the entry or a shutdown of the machine in case of danger is done by evaluating the contact blocks by a suitable basic device **safe** RELAY or through the **samos**® or **samos**®PRO safety systems.

Spring-actuated locking (SIN 1xxx)

The safety switch on the guard is locked automatically when the actuator reaches its end position.

The guard is unlocked by applying a current to the internal electromagnets in the safety switch.

Magnet-actuated locking (SIN 2xxx)

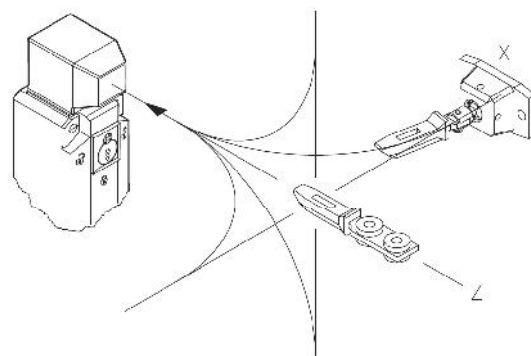
The safety switch on the guard is locked when the actuator reaches its end position by applying a current to the internal electromagnet.

When the current to the internal electromagnet is switched off, the guard locking is released and the guard can be opened.

Versatile installation

Thanks to the adjustable actuator head and the large selection of actuators, the safety switch can be used to implement guard locking devices for all applications in machine construction.

Universal use through 8 different actuating directions and 5 different actuators:



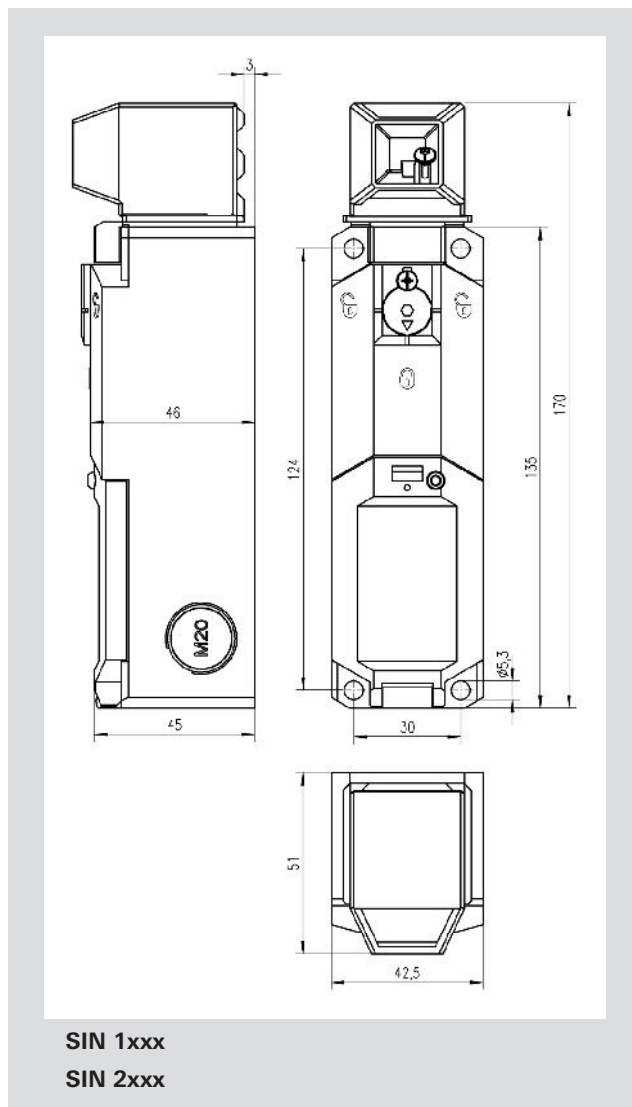
SIN – Safety switch with separated actuator and guard locking

Technical data

Function	
according EN 14119	Safety switch with separated actuator and guard locking
Power supply circuit	
Rated voltage	24 V AC/DC, 110/230 V AC
Continuous output	4.4 VA (SIN 12xx: 8 VA)
Output circuit	
Contact load of conv. thermal current I_{th}	5 A
Application category	AC-15: U_e 230V, I_e 2,5 A
Mechanical life	1 x 10 ⁶ switching cycles (max. 600 switching cyclesh)
Short-circuit protection	lead fuse 4 A class gL
Mechanical data	
Guard locking force	1500 Nm
Extraction force	> 27 Nm
Approach speed	max. 0,5 m/s
Dimensions (L x W x H)	170 x 42.5 x 51 mm
Mounting	4 x M5
Cable entry point	3 x M20 x 1,5
General data	
Ambient temperature	-25 - +70 °C
Wire ranges push-in terminals	1 x 0.5 -1.5 mm ²
Protection degree according to EN 60529	IP 67
Weight	0,35 kg
Standards	EN 60947-1, EN 60947-5-1, EN ISO 13849-1, EN 62061
Approvals	DEGUV, c-CSA-us, CCC

SIN – Safety switch with separated actuator and guard locking

Dimensions diagramm



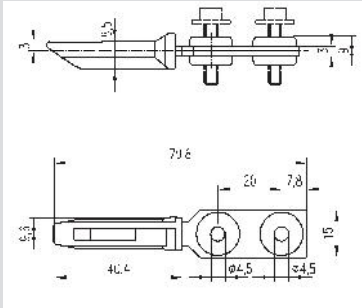
Overview of devices | part numbers safety switch

Type*	Locking principle	Contact assignment (actuator + guard locking)	Rated voltage	Additional features	Part. no.	Std. pack
SIN 1120	Spring-actuated	2NC + 2NC	24 V AC/DC	Auxiliary release	R1.310.1120.0	1
SIN 1150	Spring-actuated	1NC/1NO + 1NC/1NO	24 V AC/DC	Auxiliary release	R1.310.1150.0	1
SIN 1130	Spring-actuated	2NC + 1NC/1NO	24 V AC/DC	Auxiliary release	R1.310.1130.0	1
SIN 1330	Spring-actuated	2NC + 1NC/1NO	24 V AC/DC	Auxiliary release, LED	R1.310.1330.0	1
SIN 1350	Spring-actuated	1NC/1NO + 1NC/1NO	24 V AC/DC	Auxiliary release, LED	R1.310.1350.0	1
SIN 1220	Spring-actuated	2NC + 2NC	110/230 V AC	Auxiliary release	R1.310.1220.0	1
SIN 1250	Spring-actuated	1NC/1NO + 1NC/1NO	110/230 V AC	Auxiliary release	R1.310.1250.0	1
SIN 1230	Spring-actuated	2NC + 1NC/1NO	110/230 V AC	Auxiliary release	R1.310.1230.0	1
SIN 2120	Magnet-actuated	2NC + 2NC	24 V AC/DC		R1.310.2120.0	1
SIN 2150	Magnet-actuated	1NC/1NO + 1NC/1NO	24 V AC/DC		R1.310.2150.0	1
SIN 2130	Magnet-actuated	2NC + 1NC/1NO	24 V AC/DC		R1.310.2130.0	1
SIN 2220	Magnet-actuated	2NC + 2NC	110/230 V AC		R1.310.2220.0	1
SIN 2250	Magnet-actuated	1NC/1NO + 1NC/1NO	110/230 V AC		R1.310.2250.0	1
SIN 2230	Magnet-actuated	2NC + 1NC/1NO	110/230 V AC		R1.310.2230.0	1

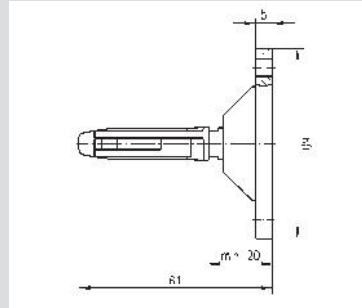
* the associated actuator must be ordered separately

SIN – Actuator

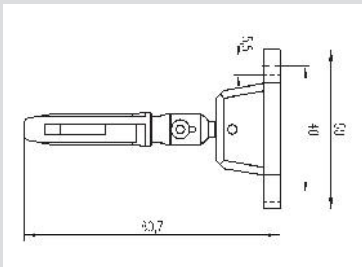
Dimensions diagramm



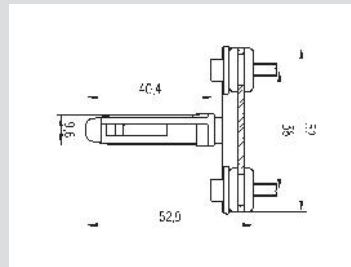
SIN 9001



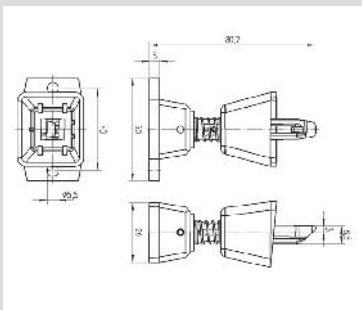
SIN 9004



SIN 9002



SIN 9005



SIN 9003

Approach Radii

SIN 9001, 9003, 9005: R min > 400mm

SIN 9004 R min > 350mm

SIN 9002 R min > 150mm

Overview of devices | part numbers Actuator

Type	Actuator	Part. no.	Std. pack
SIN 9001	Standard actuator	R1.310.9001.0	1
SIN 9002	Radius actuator	R1.310.9002.0	1
SIN 9003	Radius actuator with dust protection	R1.310.9003.0	1
SIN 9004	Actuator, flexible	R1.310.9004.0	1
SIN 9005	Actuator, transverse	R1.310.9005.0	1